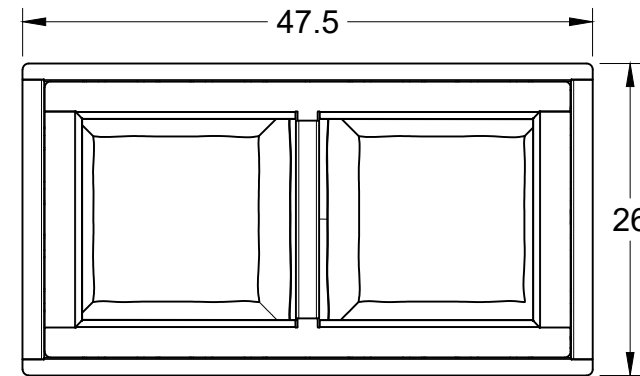
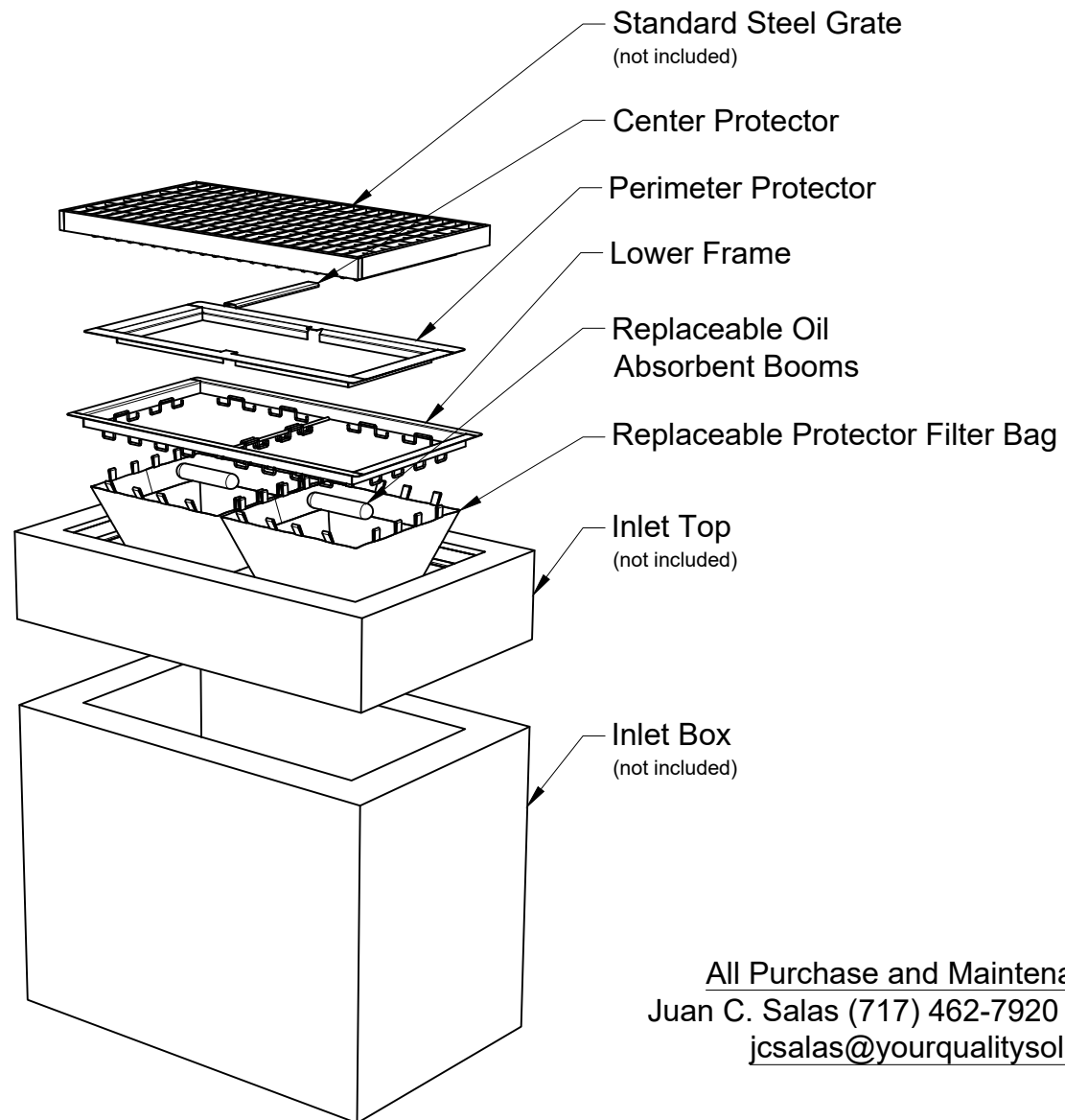
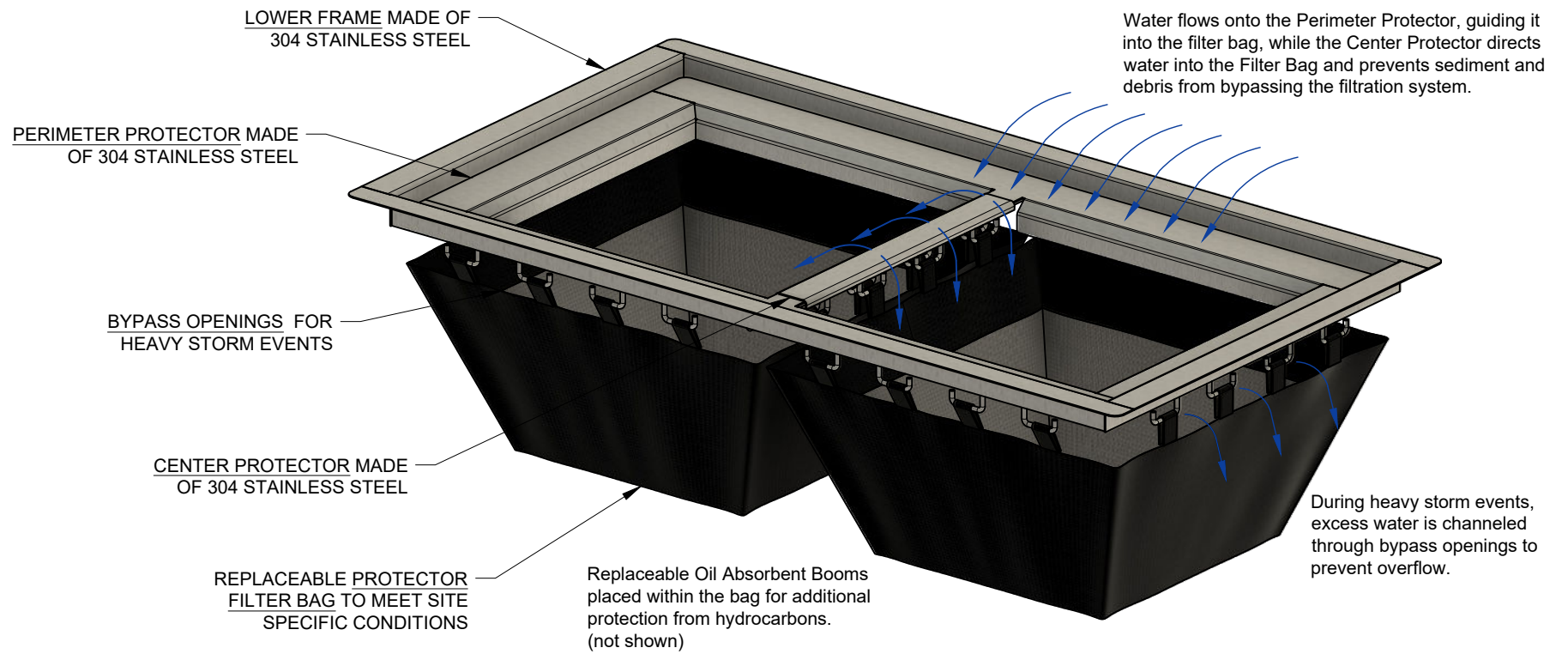


Pollutant Removal		
TSS	Phosphorus	Nitrogen
95%	84%*	74%*

# Your Quality Stormwater Protector Inlet Filter

*\*based on 100% capture of leaves, vegetation and organic detritus and routine maintenance practices involving removal of inlet filter fabric with captured material. "Evaluation of Leaf Removal...in Urban Stormwater" William R. Selbig, Science of Total Environment, Volume 571, 15 November 2016, pp 124-33*



**STANDARD 24" x 45.25" INLET FILTER DIMENSIONS**  
Standard inlet filter size shown. Custom sizes are available. Please reach out to YQS for custom sizes.

The design and information shown on this drawing is provided as a service to the contractor by Your Quality Solutions, Inc. (YQS). Neither this drawing, nor any part thereof, may be used, reproduced or modified in any manner without the prior written consent of YQS.

**All Purchase and Maintenance Inquiries:**  
Juan C. Salas (717) 462-7920 or (717) 462-7945  
[jcsalas@yourqualitysolutions.com](mailto:jcsalas@yourqualitysolutions.com)

 <a href="http://www.yqsinspections.com">www.yqsinspections.com</a> 309 Diller Ave New Holland, PA 17557 (717) 462-7920 DBE/WBE	PROJECT	-
	TITLE	Stormwater Protector Inlet Filter Lite™
	YQS #	24" x 45.25" Standard Model v3.0-100224
	DRAWN	TPS
SCALE		na
SHEET		1 of 1
REV		NA